

Conventional Base Sounder

CSB-E(WHT)



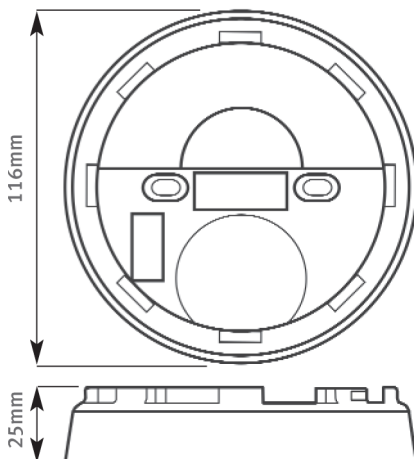
Features

- Robust design
- Low current consumption
- Easy to install
- Maximum 93dB(A) @ 1 metre (Tone 1)
- 32 user-selectable tones and 3 user-selectable volumes
- Lockable cap available

Description

Model CSB-E is a conventional Base Sounder designed for use with the CDX Range of conventional smoke and heat detectors.

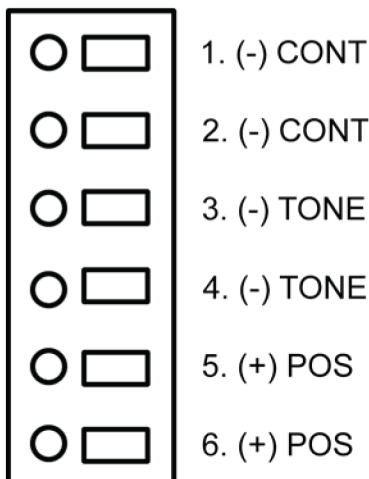
Dimensions



Specifications

Ordering Codes	CSB-E CSB-E(WHT) CS/CAP (Lockable Cap)		
Sound Level	Low	Med	High
Sound Output	87dBa	90dBa	93dBa
	@ 1 metre (Tone 1)		
Current Consumption	6mA	8mA	10mA
	@ 24Vdc		
Voltage Range	18 - 30Vdc		
Number of Tones	32		
Operating Frequency	440Hz to 2900Hz		
IP Rating	IP21C		
Temperature Range	-20°C to +70°C		
Weight (per unit packed)	110g		
Colour	Ivory or White		

Wiring



For sweep, warble or pips, wire negative to terminals 3 and/or 4 (-) **TONE**.

For continuous tone wire negative to 1 and/or 2 (-) **CONT**.

(Note that the (-) **CONT** tone will override the (-) **TONE** tone).

For a complete list of tones and their corresponding DIL switch settings please see Application Note AP115 "CDX SOUNDERS TONE TABLE" available from our web site.